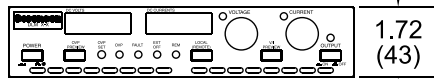


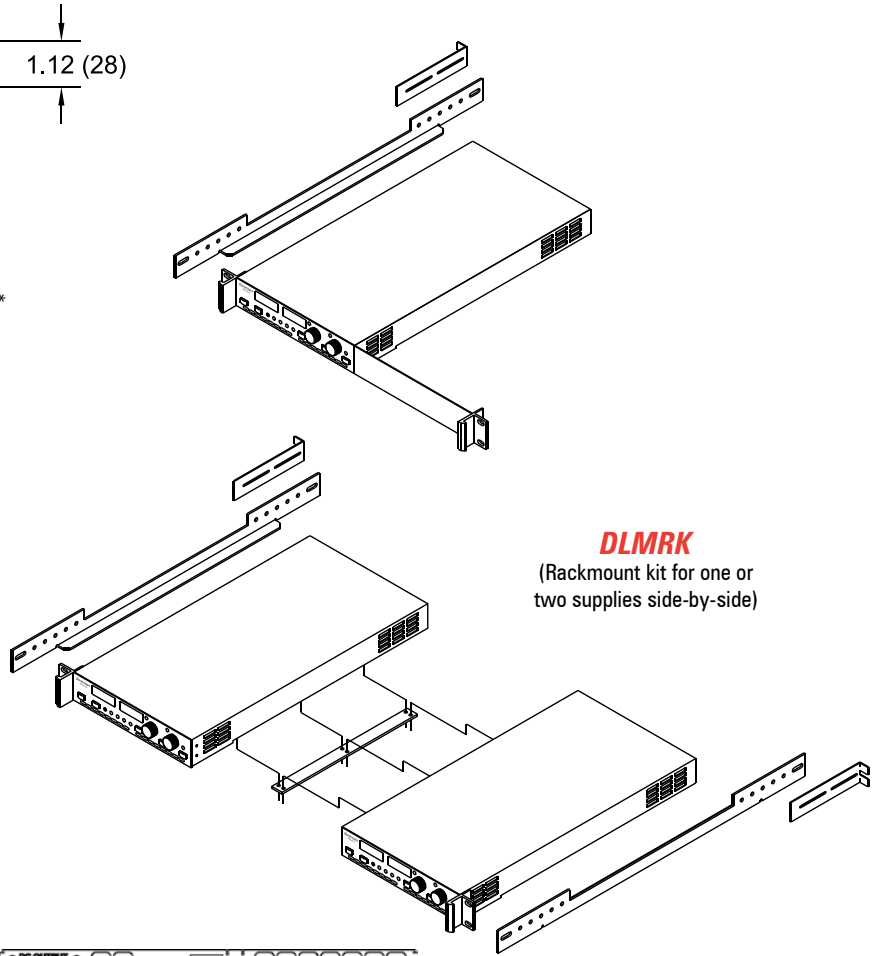
**Top View**



**Front View**



**Rear View**



**DLMRK**  
(Rackmount kit for one or two supplies side-by-side)

Dimensions in inches (millimeters)

\* 80V, 150V and 300V models have two position terminal blocks for the output  
\*\* M6 Option: 20" (508 mm).